



**Next
Level**
ELEVATORS



ELTEC HLB



The Elevator Specialists

We're passionate about supplying Australians with the most beautiful and functional all-electric elevators. As innovators in this space for more than 10 years, we have exclusive access to the best electric lifts from our Italian manufacturer, Eltec. Our superior, more eco-friendly elevators are known for their reliability, and our range of residential products comes with an industry-leading 7-year warranty.[^]

Join us as we continue to redefine the elevator industry in Australia.



Latest Technology

Our industry-leading elevators are made with the latest cutting-edge technology.



Safety

Our elevators meet the strictest safety standards.



Environmental

Our range includes fully electric, eco-friendly, and cost-efficient elevators.



Experience

Our group has installed thousands of lifts across Australia.



Quick Installation

You can rely on our team for a quick and seamless installation process.



Full Service

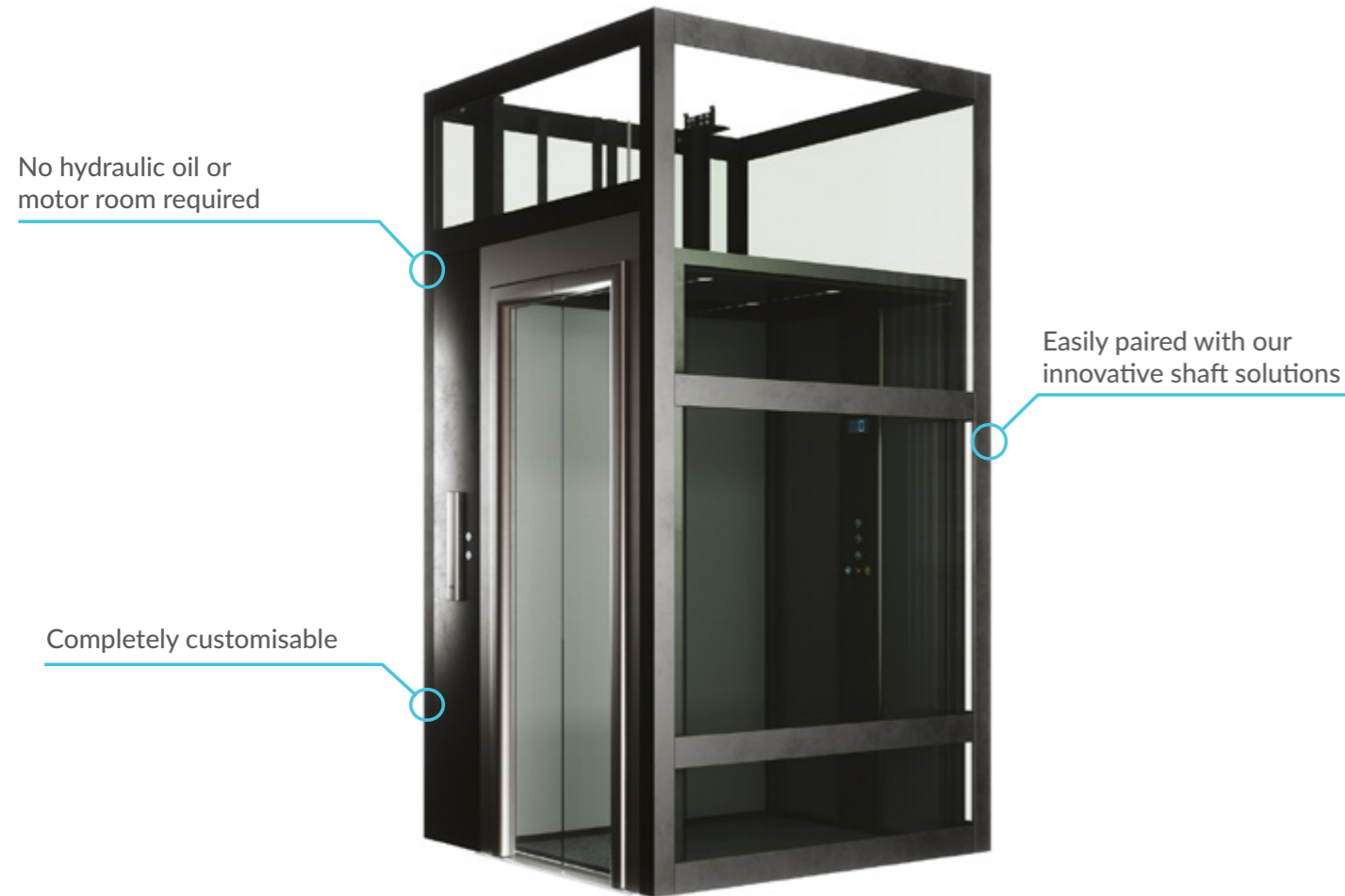
From manufacturing, to installation and ongoing maintenance, we provide a complete elevator service.

Eltec HLB

The Eltec HLB is our most popular elevator. This luxurious product is known for its adaptability; each element of the elevator can be customised, and the cabin size scaled as required. Choose between our brilliant geared or gearless motor options.



Electric Elevator / European A-Grade Energy Class



Regulations	Australian Design Registration
Drive System	Electric traction
Country of Origin	Designed and manufactured in Italy
Capacity	250–450 kg (wheelchair capacity)
Maximum Travel	20 m
Number of Stops	10
Maximum Speed	0.25–0.3 meters per second
Pit Depth	180 mm
Headroom	2550 mm (2620 mm with gearless motor option)
Motor Room	Motor and controller housed within shaft*
Power	Single phase / 230 V 10 A

Doors

Swing and sliding doors available. Sliding doors offer a luxury experience that's available in contemporary metallic and powder-coated colours. See the full range online. Ideal for those carrying shopping, pushing prams, using walkers or wheelchairs.

(S) Standard (A) Advanced (P) Premium

Types



Reverse
(manual swing door)(S)



Steel Swing
(manual swing door) (A)



Elsa
(manual swing door) (A)



Wings
(manual swing door) (A)



B-Wings
(manual swing door) (P)



Elettra
(auto swing doors) (P)



Steel Sliding
(auto sliding door) (S)

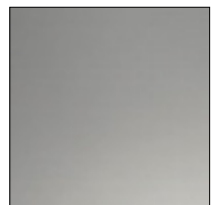


Big Vision
(auto sliding door) (A)

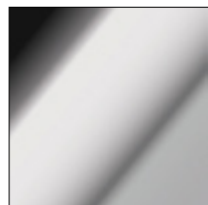


Full Glass
(auto sliding door) (P)

Popular Finishes



Stainless Steel SB
(brushed) (S)



Stainless Steel
Lucido 7
(mirrored) (S)



OXNA Anodised
(silver) (S)



WH02 White (S)



RAL 9005
(half sheen) (A)





Steel Swing



Elsa







Elettra



Steel Sliding



Big Vision



Full Glass

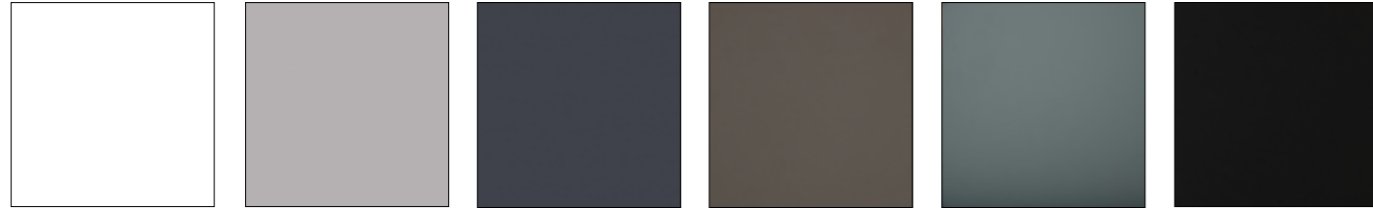


Wall Panels

An array of beautiful cabin finishes ensures your elevator can be customised to match any interior style. See the full range online or in our selection catalogue.

(S) Standard (A) Advanced (P) Premium

Laminates



Bianco Porcellana (Fin. Sei) (S) Grigio Scuro (Fin. Sei) (S) Sherwood (Fin. Sei) (S) Grigio Londra (A) Verde Comodoro (A) Nero Ingo (A)

Wood Laminates



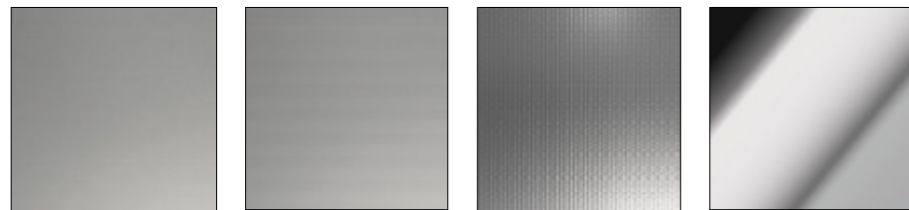
Montale Noli (Fin. Root) (S) Urban Style (Fin. Climb) (S) Aurora Norvegia (Fin. Root) (S) Rovere Nazionale (Fin. Aquarama) (S) Olmo Fine (Fin. Root) (S) Rovere America (Fin. Holz) (S)

Glass



Transparent (P) Satin (P) Milk White (P) Stop Sol Super Silver (P) Smoked (P) Stop Sol Bronze (P)

Stainless Steel



Stainless Steel SB (brushed) (P) Stainless Steel Lino Lucido (P) Stainless Steel 2WL Lucido (P) Stainless Steel Lucido 7 (mirrored) (P)

Mirror



Silver (P) Burnished (P)

Flooring

Select from a range of elegant flooring options that ascend in quality and prestige. See the full range online or in our selection catalogue.

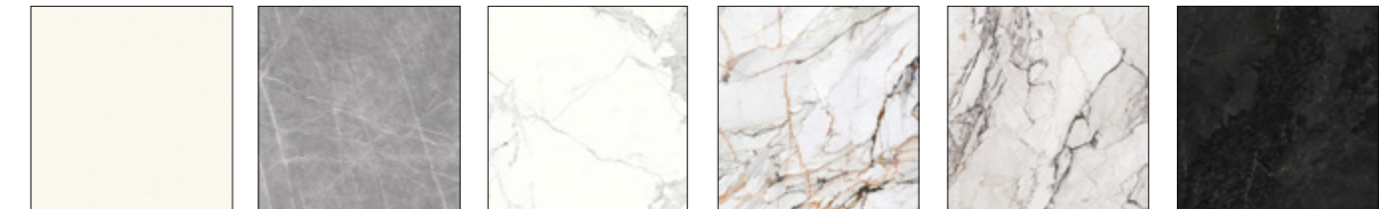
(S) Standard (A) Advanced (P) Premium

PVC



Silex (S) Custom Flooring 12mm Set Down (S)

Sintered Stone



Just White (Fin. Silk) (P) Zaha Stone (Fin. Silk) (P) Estuario (Fin. Polished) (P) Calacatta Luxe (Fin. Polished) (P) Colorado Dunes (Fin. Silk) (P) Layla (Fin. Polished) (P)



Control Panels

Choose from our range of sophisticated control panels, all of which come in a beautiful selection of metallic finishes. See the full range online or in our selection catalogue.

(S) Standard (A) Advanced (P) Premium

Types



Standard (S)



Full Height (S)

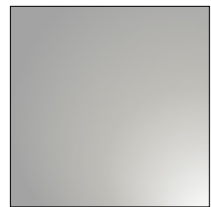


Horizontal (S)



Venice Touch (P)

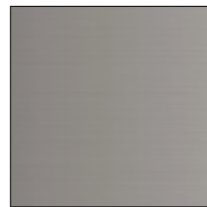
Popular Finishes



OXNA Anodised (silver) (S)



S9E Anodised (A)



INOXS Anodised (A)



S9LR Anodised (P)

See online or the selection catalogue for the full range of screens, buttons and emergency contact options available with each control panel.

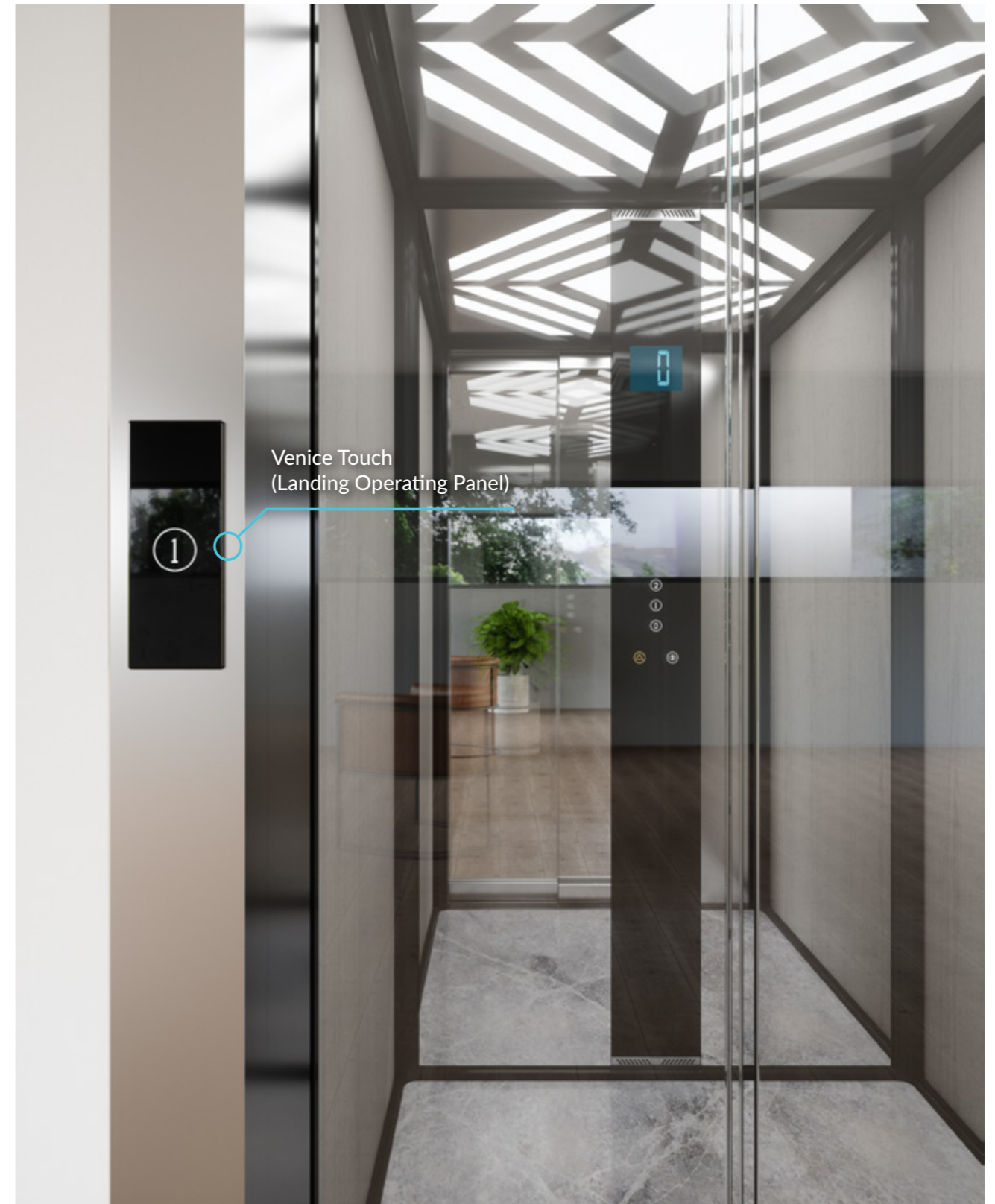


Standard





Venice Touch
(Control Operating Panel)



Venice Touch
(Landing Operating Panel)

Ceiling

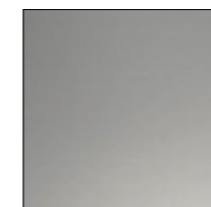
Select from a range of downlight options, from classic to eye-catching statement pieces. See the full range online or in our selection catalogue.

(S) Standard (A) Advanced (P) Premium

Types



Popular Finishes



Stainless Steel SB
(brushed) (S)



Stainless Steel
Lucido 7
(mirrored) (P)



Through Car

Accessories

Apply the finishing touches to your elevator by selecting from a range of additional accessories. See the full range online or in our selection catalogue.

(S) Standard (A) Advanced (P) Premium

Display



Tricolor Blue with flush mounting (S)



IRIS 7 TFT (P)

Emergency Contact



Autodialler (P)



Handset (S)

Keys



Key Vega (S)



I Button (Swipe tag access) (P)

Buttons



Round Buttons (Venus) (S)



Square Buttons (Giunone) (S)

Mirrors



Square 700 x 900 mm (A)



Rectangle 500 x 1600 mm (A)

Handrails



Standard Handrail 25 mm (A)



Standard Handrail 32 mm (A)

Structures

The Eltec HLB can be easily paired with our innovative AU Shaft or iconic TA Shaft. These structures are a brilliant alternative to masonry shafts and help avoid major structural works and costly shaft-building errors.

Elevator Shafts



AU Shaft

A cost-effective elevator shaft specifically designed for the Australian market. This aluminium structure can be adjusted to size and easily clad by builders.



TA Shaft

Our iconic glass elevator shaft, which can be customised in various colour options, including the glass panels.

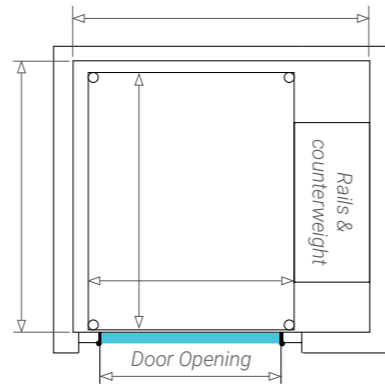


Swing Door (MS)

Swing doors are a great option if your home will only be used by fully able bodied people, and if you have generous hallway / room space.

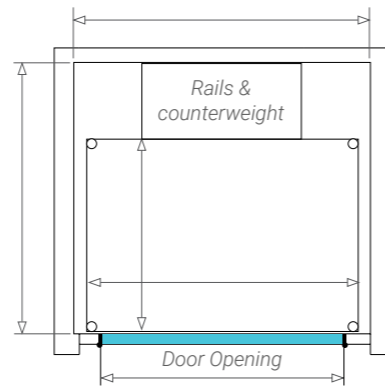
Single entry side drive

The classic lift design for those with a square lift shaft.



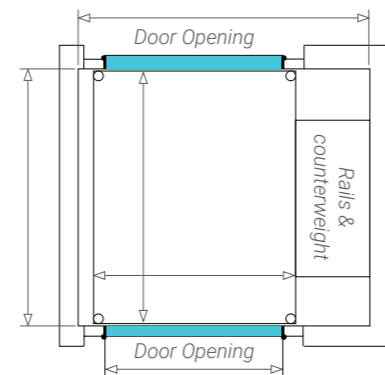
Single entry rear drive

The classic lift design with the rails and counterweight at the back for those with a narrower lift shaft.

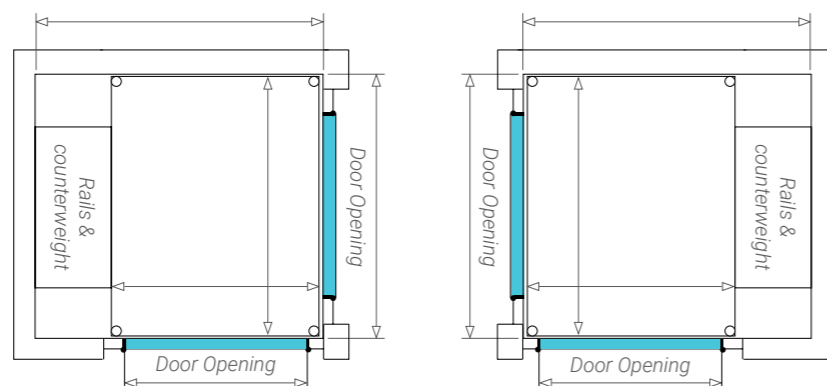


Opposite through (Thru-door)

Ideal for homes with split level or requiring flexibility of design.



Adjacent Entry

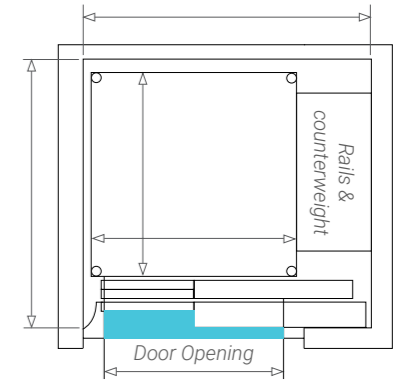


Sliding Door (MS)

Sliding doors are great for narrow hallways and maximise the resale value of your home, by ensuring the lift is accessible with wheelchairs and walkers.

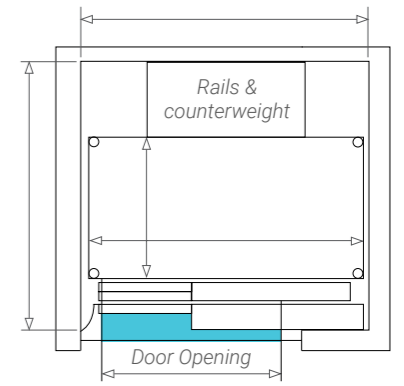
Single entry side drive

The classic lift design for those with a square lift shaft. Luxury experience so you and guests do not have to step out or way of the door.



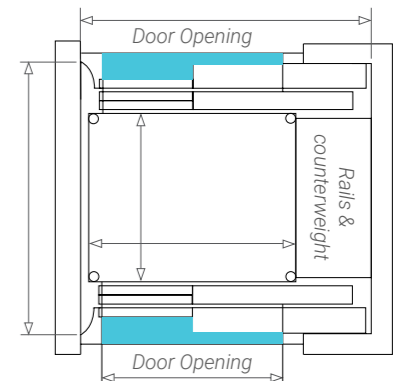
Single entry rear drive

The classic lift design with the rails and counterweight at the back for those with a narrower lift shaft. Ideal for those with mobility challenges, such as wheelchairs and walkers users that don't want to open and close doors.

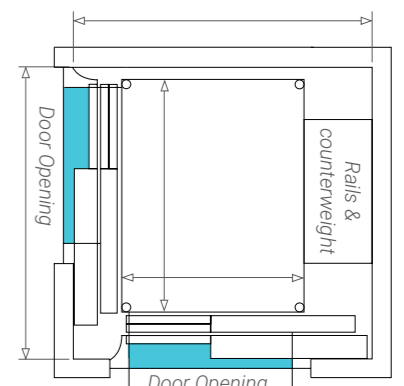


Opposite through (Thru-door)

Ideal for homes with split level or flexibility of design.



Adjacent Entry



MADE IN ITALY



BIMcontent.com
Partner

ArchiCAD and Revit libraries for these products are available at www.bimcontent.com

Book an appointment with a consultant

We're keen to understand your needs and build an custom elevator for your home.

Melbourne Showroom

456 Smith Street
Collingwood VIC 3066

Sydney Showroom

647 Botany Road
Rosebery NSW 2018

Queensland

PO Box 6347
MeridanPlains QLD 4551

V1.2 Nov 2025